



**Gilded Meadow™ Conical Bell®**  
 Above-counter/Wall-mount Bathroom Sink  
**K-45922-DE**

**Features**

- Decorated with a textural floral pattern on Translucent Cashmere background.
- Gold accents.
- Round bowl-like basin.
- No faucet holes; requires wall- or counter-mount faucet.
- Coordinates with other products with the Gilded Meadow design.

**Material**

- Vitreous china.

**Installation**

- Vessel.

**Recommended Products/Accessories**

- K-7114 Pop-Up Drain
- K-7129 Drain
- K-9018 P-Trap
- K-9655 Wall-Mount Vessel Bracket

**Included Components**

- Additional Components:  
 Adjustable linkage



**ADA** **CSA B651** **OBC**


**Codes/Standards**

- ASME A112.19.2/CSA B45.1
- ADA
- ICC/ANSI A117.1
- CSA B651
- OBC

**KOHLER® One-Year Limited Warranty**  
 See website for detailed warranty information.

**Available Colors/Finishes**

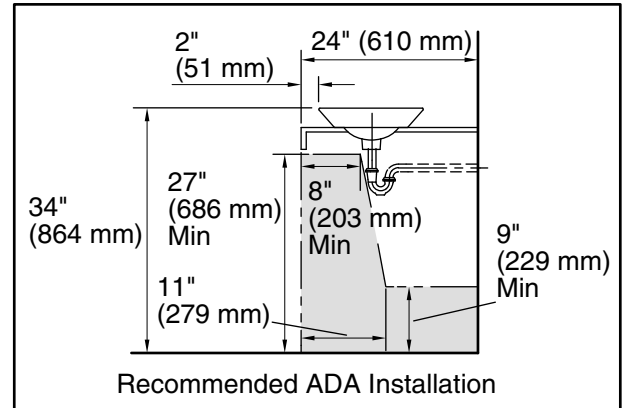
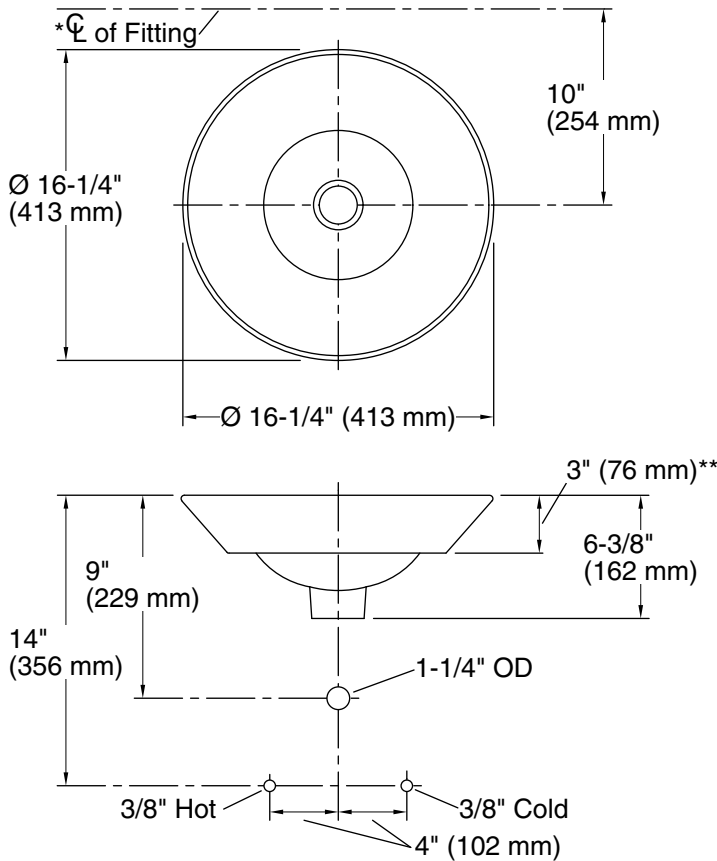
*Color tiles intended for reference only.*

Color	Code	Description
	K5	Translucent Cashmere



# Gilded Meadow™ Conical Bell®

Above-counter/Wall-mount Bathroom Sink  
K-45922-DE



## Technical Information

All product dimensions are nominal.

Bowl configuration:	Single
Installation:	Wall-mount, Vessel
Bowl area:	Diameter: 15-7/8" (403 mm) Water depth: 4-1/4" (108 mm)
Drain hole:	1-3/4" (44 mm)
Template:	1002980-7, required, included

## Notes

Install this product according to the installation instructions.

Product does not have an overflow.

\*Spout must be 5" (127 mm) long (min) for adequate clearance into the bathroom sink when installed with centerline as shown.

NOTICE: Countertop manufacturer or cutter must use the cut-out template provided with the product, or a current one provided by Kohler Co. (call 1-800-4-KOHLER). Kohler Co. is not responsible for cut-out errors when the incorrect cut-out template is used.

ADA, OBC, CSA B651 compliant when installed to the specific requirements of these regulations.